



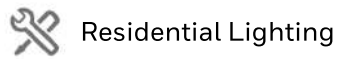
LED SPOT MR16



Introducing our LED Spot MR16 which is a high-quality spotlight, designed to deliver precise and focused lighting. Its compact size and versatile design make it suitable for a wide range of applications. With energy-

efficient LED technology, this spotlight offers great performance and extra cost savings.

APPLICATION AREAS



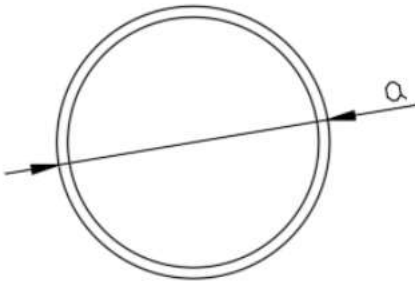
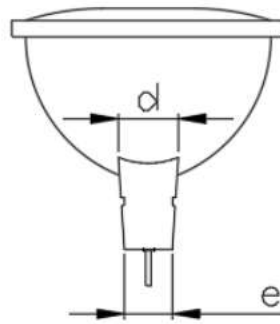
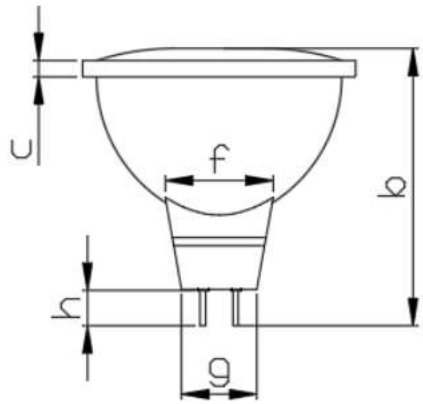
FEATURES

- Versatile design with focused beam that precisely directs light to the target area, providing accurate spotlighting
- Illuminate with stunning efficiency, thanks to our products luminous efficacy of up to 90 lm/W
- Fits standard GU5.3 (MR16) sockets, making it easy to retrofit existing fixtures
- Enjoy extended operational life with an impressive lifetime of 30,000 hours (L70/B50), reducing the need for frequent lamp replacements
- Effortlessly customize your ambiance with four color temperature options: 2700K, 3000K, 4000K, and 6500K
- Experience hassle-free compatibility with our lighting, available in two different operating voltage of 220-240V and 12 V
- Offering dimming option, allowing you to adjust brightness with a dimmer and set the desired mood
- Environmentally friendly: Contains no harmful substances like mercury, making it safe for the environment

TECHNICAL SPECIFICATIONS

ITEM CODE	ITEM DESCRIPTION	RATED POWER	RATED LUMENS	RATED CCT	OPERATING VOLTAGE	RATED EFFICACY	CRI	PF	LIFETIME	WARRANTY	DIMMING COMPATIBILITY
841927090152	Ess Spot MR16 5W 2700K 36D 220-240V GU5.3 IP20 ND	5 W	400 LM	2700 K	220-240 V	80 LM/W	RA>80	>0.5	30,000 HRS	3 years	Non-dimmable
841930090162	Ess Spot MR16 5W 3000K 36D 220-240V GU5.3 IP20 ND	5 W	400 LM	3000 K							
841940090172	Ess Spot MR16 5W 4000K 36D 220-240V GU5.3 IP20 ND	5 W	400 LM	4000 K							
841965090182	Ess Spot MR16 5W 6500K 36D 220-240V GU5.3 IP20 ND	5 W	400 LM	6500 K							
841927090042	Ult Spot MR16 6W 2700K 36D 12V GU5.3 IP20 DIM	6 W	540 LM	2700 K	12 V	90 LM/W	RA>90				Dimmable
841930090052	Ult Spot MR16 6W 3000K 36D 12V GU5.3 IP20 DIM	6 W	540 LM	3000 K							
841940090062	Ult Spot MR16 6W 4000K 36D 12V GU5.3 IP20 DIM	6 W	540 LM	4000 K							

PRODUCT SIZE



LED SPOT MR16

a	50MM
b	45MM
c	3MM
d	12MM
e	10.5MM
f	19.8MM
g	17MM
h	17MM
i	7MM

DISCLAIMER

The information in the present datasheet is subject to change without notice. Errors and omissions excepted. Please make sure to use the latest version.

FOR MORE INFORMATION

VESRA MEA LLC - FZ, 1907, Opal Tower,
Business Bay, Dubai, UAE
Website: honeywell-lighting.com
Email: support@honeywell-lighting.com
Phone: +971 800 83 772

The Honeywell trademark is used under license
from Honeywell International Inc. This product is
manufactured by VESRA MEA LLC - FZ.

Honeywell